

Ken Rain

Irrigation

Warehouse

"Your Environment Improvers"

Office - (08) 85225550 Fax. (08) 85224401

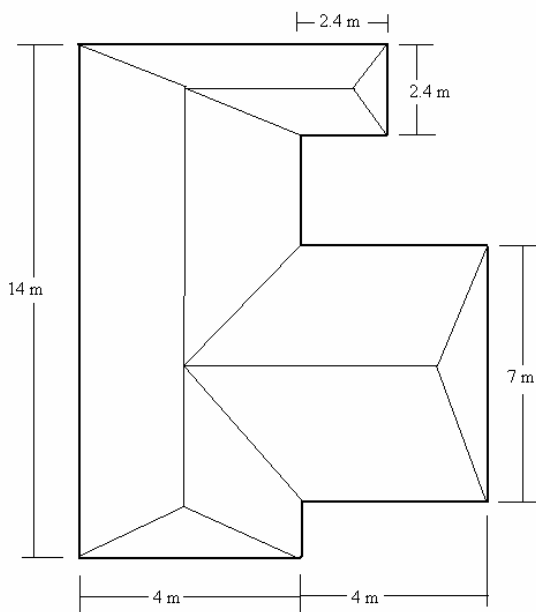
E-Mail:- ken@harringtonassociates.com.au Web:- www.harringtonassociates.com.au

Fact Sheet .2.

How much rain water can I collect from my roof ?

To calculate your possible rain water catchment from your roof, firstly measure up your house as shown in the example below. Don't forget the verandah, carport, garage or any other area of roof that you may be able to use for collection.

For a gable roof, the area will be slightly more, due to the pitch, so multiply the area by 1.3 for a steep pitched roof, 1.1 for an average pitched roof.



Area Measurements

$$2.4 \times 2.4 = 5.76$$

$$7 \times 4 = 28$$

$$14 \times 4 = 56$$

$$89.76$$

$$\times 1.1(\text{roof pitch}) =$$

$$\text{total catchment area} = 98.74 \text{ sq. m}$$

average annual rainfall for your area.

Check Bureau of Meteorology for your area www.bom.gov.au

Area x annual rainfall (mm) = litres /yr

$$99 \text{ sq.m.} \times 500\text{mm} = 49,500 \text{ litres /yr.}$$

Keep in mind that this is the rain that could be collected over a year and a good percentage of rain for South Australia will fall late autumn, winter, early spring. Sufficient tank capacity will need to be allowed to store the water from that period.

